



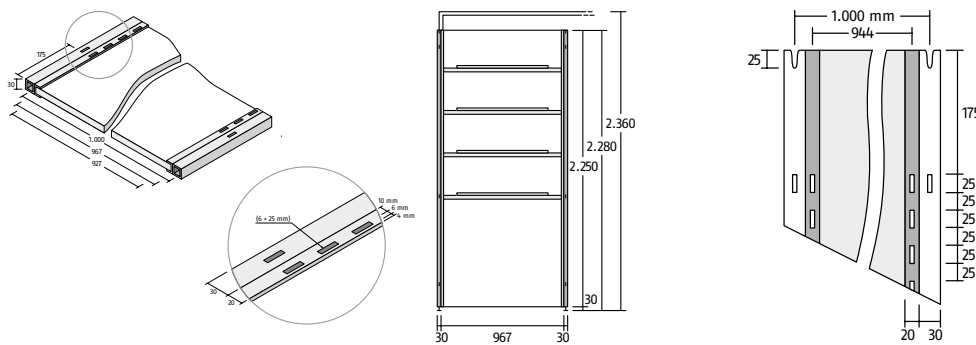
System Stand CLASSIC

Detailed measurements

All dimensions in the drawings are given in millimetres (mm).

Please allow for a tolerance of +/-10 mm.

Wall element

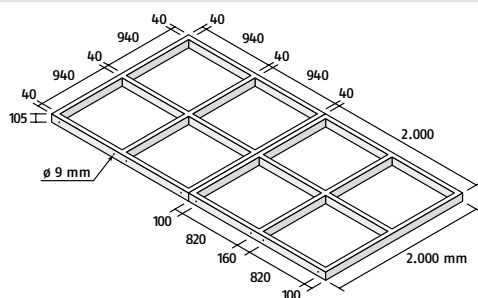


Dimensions (D × H × W): 24 mm × 2.250 mm × 927 mm.

(Dimension of the wall panel between the fixing rails, for graphics.)

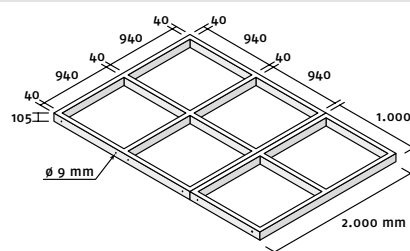
The maximum load on a single wall element is 55 kg, as a composite wall it is 65 kg.

Ceiling frames



Two adjacent ceiling frames
(2 m × 2 m) with a power rail
running through the middle.

Ceiling frames 6 sqm



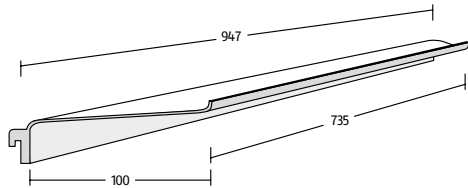
Two adjacent ceiling frames
(2 m × 2 m and 1 m × 2 m) with
a power rail running through
the middle.



System Stand CLASSIC

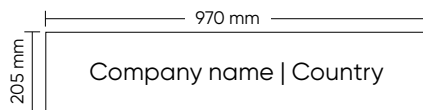
Detailed measurements

Bookshelf

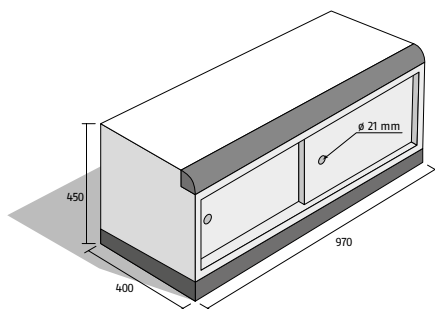


Maximum load: 10 kg

Stand sign



Bench cabinet



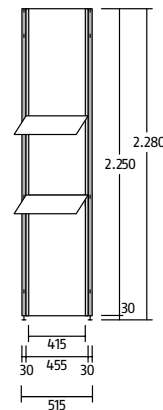
Maximum load: 100 kg.
Locks can be purchased at the fair. Bench cabinets must not be stacked on top of each other.

Electric socket

The electric socket is connected directly into the conductor rail within the ceiling frame. It may be advisable to take extension leads to the fair. Additional electric sockets can be ordered separately via our service contractor.

buchmesse.de/en/service-contractors

Support wall with two brochure holders



Dimensions (D × H × W):

24 mm × 2,250 mm × 415 mm
Each support wall carries max. 2 brochure holders, max. load: 3 kg.